

AP-400000 tundishes

plastic



AP-400000 tundishes plastic



Application

The use of a tundish meets the requirements of water regulations G19.1, G19.3 and G19.4 contained in the "The Water Supply (Water Fittings) Regulations 1999" and the "Water Byelaws 2000 (Scotland)" for sealed or unvented systems.

The discharge pipe from expansion valves, temperature relief valves and combined temperature and pressure relief valves should pass through a tundish with an AUK3 air gap.

The tundish must be located within the same room, as near as possible to the relief valve, since it is important that the discharge is clearly seen to warn of a possible problem within the system..

All Altecnic tundishes provide a type AA air gap since they all provide a minimum air break of 20mm.

A device with a type AA air gap provides additional protection above a AUK3 air gap and is suitable to protect against category 5 Back Pressure and category 5 Back Siphonage.

All Altecnic tundishes are WRAS approved products except for CA-100113.

Construction Details

Altecnic Series AP-400000 tundishes are manufactured from Acetal co-polymer material which has excellent corrosion resistance and temperature stability up to 95°C.

Threaded end connections to BS EN ISO 228-1 or compression ends to BS EN 1254-2.

AP-400000 Range

Product Code	Body Style	Inlet Connection	Outlet Connection
AP-400001	Angle	½" male	¾" female
AP-400002	Angle	¾" male	1" female
AP-400003	Straight	½" female	¾" male
AP-400010	Straight	15mm comp.	22mm comp.
CA-100113	Straight	22mm comp.	1" female

Installation

Tundishes are easy to install and should be installed in accordance with water regulation G19.3 and discharge safely into a trapped gully or drain.

The temperature of water discharge can approach 100°C, it is therefore imperative that the final discharge point will not cause injury to people in the vicinity, when a sudden discharge occurs.

A typical discharge pipe arrangement is shown.

E & O.E

Altecnic Ltd Mustang Drive, Stafford, Staffordshire ST16 1GW

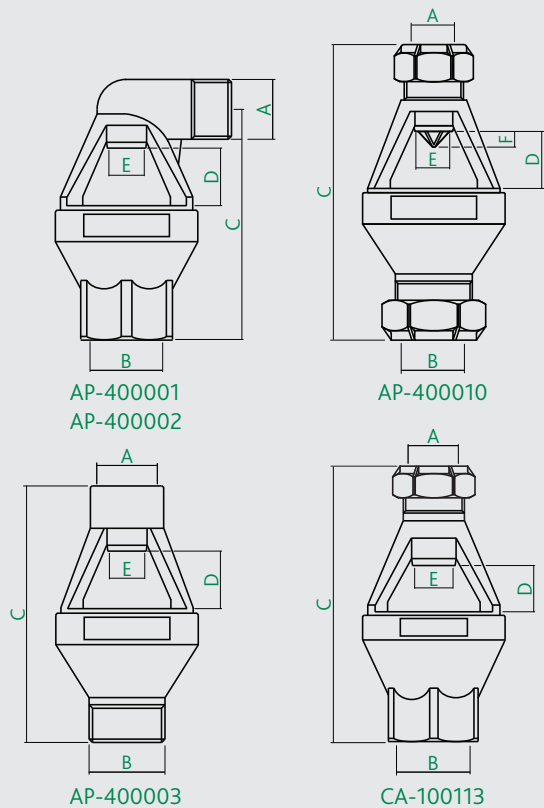
T: +44 (0)1785 218200 E: sales@altecnic.co.uk

Registered in England No: 2095101

altecnic.co.uk

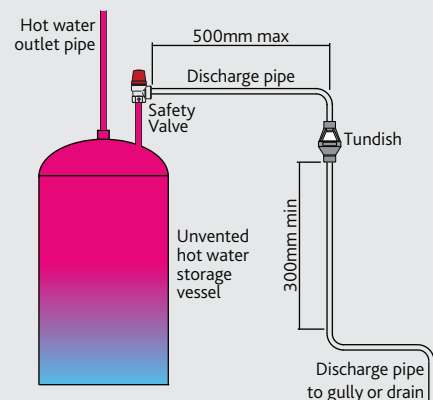
AL 047 28-10-11

Dimensions



Prod Code	A	B	C	D	ØE	F
AP-400001	G½B	G¾	80	20	12.7	
AP-400002	G¾B	G1	100	20	19.0	
AP-400003	G½	G¾B	88.5	20	12.7	
AP-400010	Ø15	Ø22	104	21.2	12.7	5.5
CA-100113	Ø22	G1	121	20	19.0	

Typical Installation



altecnic