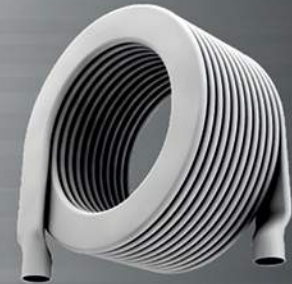


RAVENHEAT®



HE98S

31 kW Combi

Stainless steel heat exchanger

Brass manifold

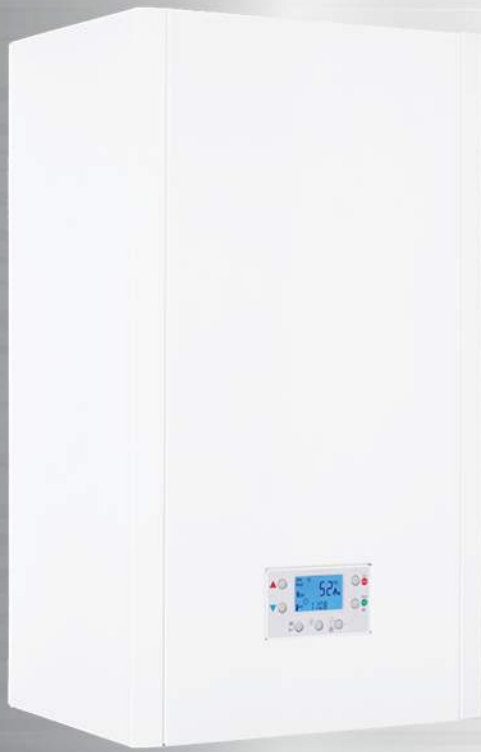
Copper pipes

Flow rate 12 l/min @ 35°C rise

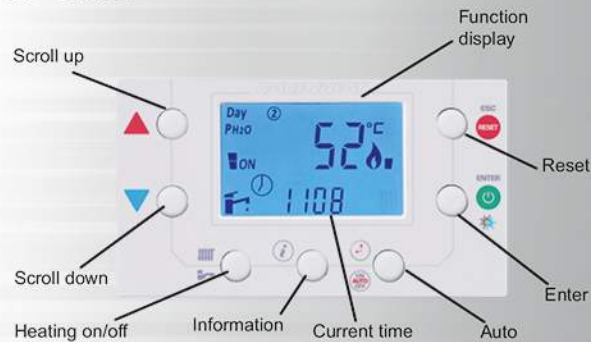
5 Years warranty



Built to exacting ISO 9001 standards using quality components, carrying the European CE mark. Each appliance undergoes a rigorous testing and operating procedure before being carefully packed for maximum protection, ready to leave our factory.



- HE98S Combination Boiler - 31kW to domestic hot water (DHW) output with DHW flow rate of 12 litres a minute through a 35°C rise.



CLEAR VIEW DISPLAY SCREEN

The HE98S combination boiler has a high resolution backlit LCD screen, featuring customer friendly buttons for optimum operation, making it easy to use in poor light conditions. This feature enables the user to easily set the heating and hot water temperatures, central heating times and view the system pressure.



Single coil stainless steel heat exchanger



The stainless steel single coil heat exchanger will ensure constant water speeds over a long life cycle, coupled with this being able to access the heat exchanger from the front facilitates ease of service through the life cycle of the boiler. The coil itself is designed to have wide water ways which lessens the likelihood of debris build up in the heat exchanger, the absence of manifolds lengthens the life expectancy of the heat exchanger by reducing the number of weld points and the number of seals.



IT'S WHAT'S ON THE INSIDE THAT COUNTS



Customer benefits

- SEDBUK A rated
- 5 year warranty
- OpenTherm compatible
- Weather compensation (optional)
- DHW flow rate of 12 l/min @ 35 degree rise
- Compact size: H- 700mm, W- 400mm D- 300mm
- Fully ERP compliant
- Backlit LCD
- Whisper quiet in operation
- Built in frost protection
- Integral colour coded valve kit eliminates unsightly valves below the boiler
- User friendly controls, simple and easy to use
- High density insulation
- DHW pre-heat function
- Minimum low power of only 3.7kW further reduces energy cost

Installer benefits

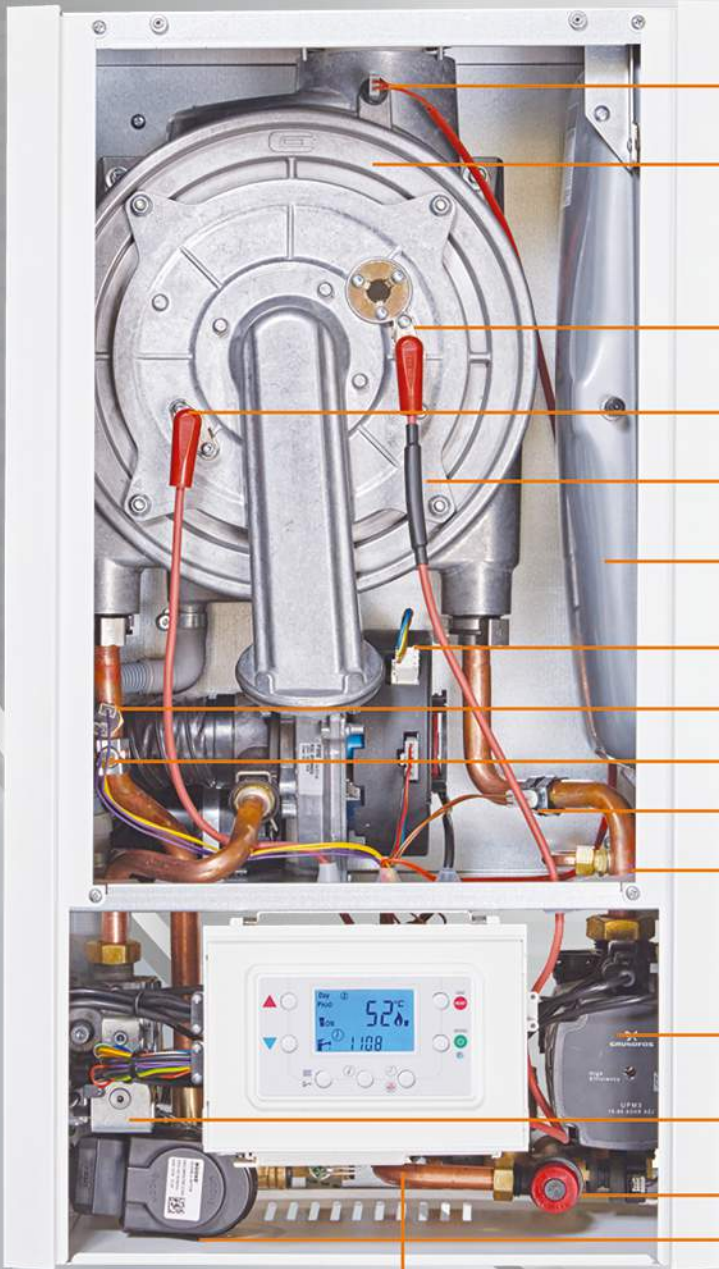
- Brass and premium branded components for lasting quality
- Stainless steel main heat exchanger
- Fully accessible from the front making service easier
- Side clearance of only 1mm required
- Easy release control panel allows easy access for servicing
- Built-in deep condensate trap designed to reduce external nuisance freezing in winter
- Multi fix wall hanging bracket available (optional)
- Flexible condensate pipe for multi positioning discharge drain
- Lightweight design to aid installation
- Removable side panels
- Built in automatic by-pass
- Low Nox class 6 - 36.06mg/kWh
- Anti-locking pump and valve feature
- Stand-off bracket available for piping down the back of the appliance (optional)



EASY RELEASE CONTROL PANEL ALLOWS FOR INSTANT ACCESS FOR SERVICING

Simple yet innovative, the control display on the HE98S boiler slides up with ease to allow easy access when servicing

RAVENHEAT®



FLUE SENSOR

STAINLESS STEEL
HEAT EXCHANGER

SPARK ELECTRODE

SENSING ELECTRODE

SUPPRESSOR

EXPANSION
VESSEL

FAN

OVERHEAT THERMOSTAT

CH FLOW THERMISTOR

CH RETURN THERMISTOR

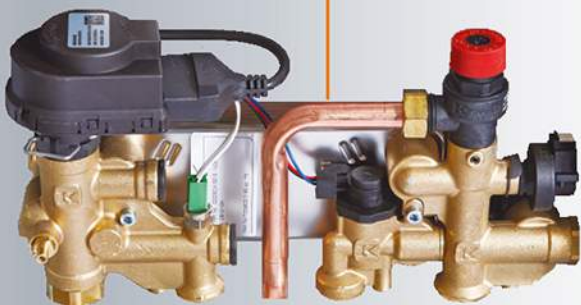
COPPER PIPES

ERP PUMP

GAS VALVE

PRESSURE RELIEF VALVE

DIVERTER



BRASS BLOCK

ACTUAL DISPLAY SIZE

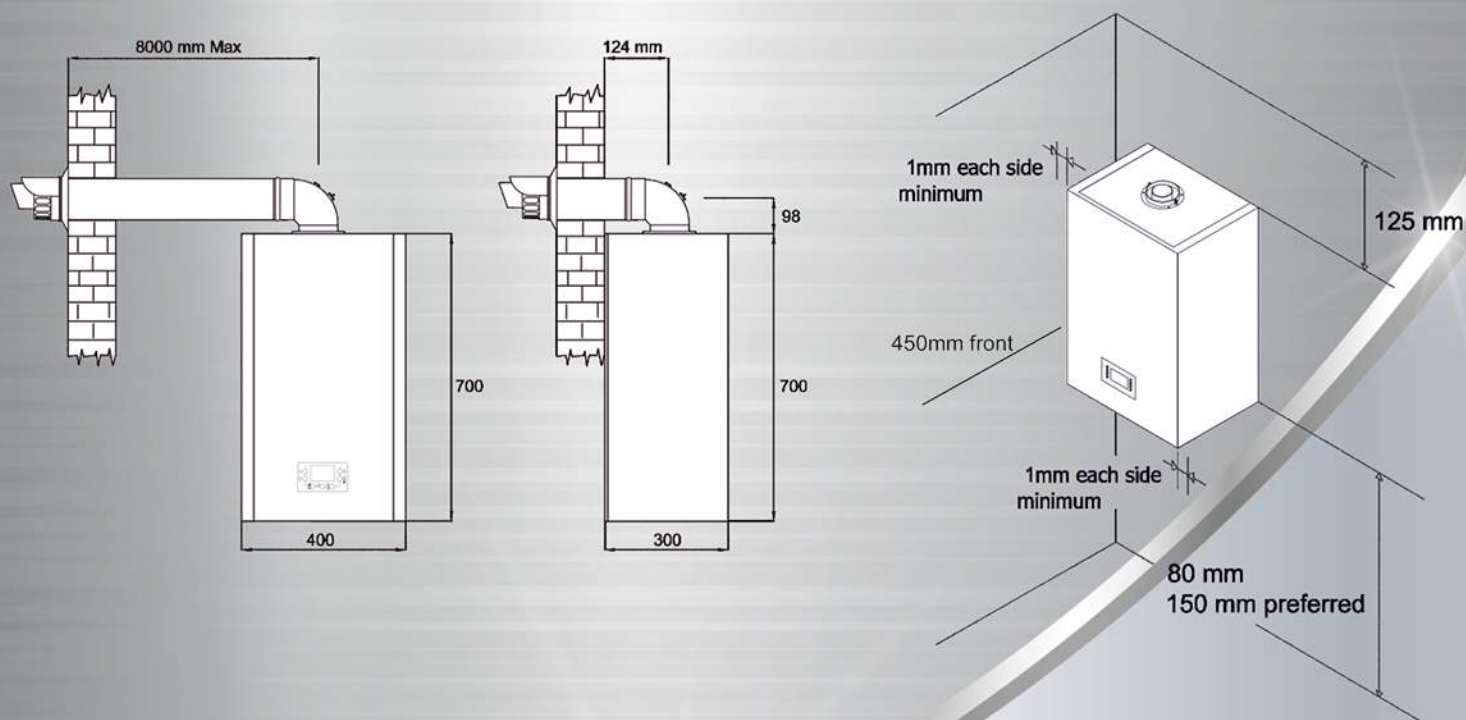


CLEARLY VISABLE

OpenTherm (Compatible room stat required)

OpenTherm boilers provide more precise control directly from the room thermostat to the boiler's software which modulates the gas valve and central heating pump. This allows the precise gas input requirement to match the varying demand signal i.e. if the house needs to be one degree warmer the control tells the boiler it can start and run at a lower power. By reducing the flow temperature to a minimum of the heat required, the flow temperature is kept below the dew point (50°C), thus allowing the boiler to operate in condensing mode which is more efficient. Without OpenTherm even with the best controls the boiler will always run at full power consuming significantly more energy (both gas and electric) affecting the homeowner's energy bill. Whereas with our HE98S by just applying the necessary heat there is a significant saving available and all of this is done automatically by the boiler and its controls.

Dimensions and clearances



Flue Options

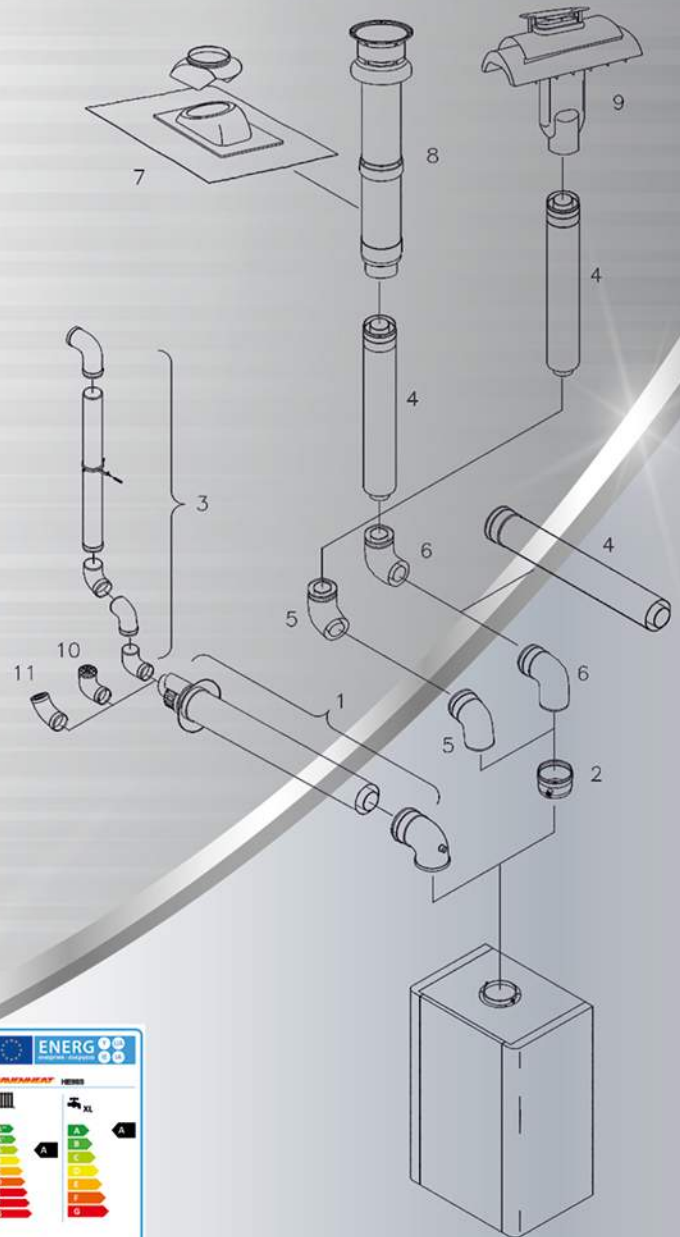


The new HE98S can be fitted with either a 100mm standard (concentric), a 125mm flue duct or a twin (eccentric) flue duct, which can be installed either vertical or horizontal, depending on the customers requirement.

A one metre standard horizontal flue kit is supplied separately; this can extend to 8 metres if required, or 13 metres vertical (maximum without bends).

The below flue arrangements should fit most requirements however, alternative systems (Twin or 125mm) are available. See installation manual for all flue lengths and options.

No	Flue part 60 /100	Part No
1	1 metre horizontal flue kit	TER160050
2	Straight flue header / Sample Point	COL160050
3	1 metre high plume kit	TER110101
4	1 metre flue extension	PRFE
5	45 Degree in line flue bend	PR45FBI
6	90 Degree in line flue bend	PR90FBI
7	Flashing sleeve / plate	TEG060050
8	1 metre vertical terminal	TER110200
9	Combi ridge terminal kit	TER090100
10	90 Degree flue exhaust deflection bend	CUR110100
11	45 Degree flue exhaust deflection bend	CUR110050



BOILER SPECIFICATIONS	HE98S
Central Heating Max/Min Output (Adjustable Modulation)	3.7 - 26.2 Kw
Domestic Hot Water Max/Min Output	3.7 - 31 kW
Flow Rate Rised 30°CΔT	14.0 l/min
Flow Rate Rised 35°CΔT	12.0 l/min
Expansion Vessel	8L
Maximum Central Heating Temperature	80°C
Installation Clearance	
Side	1 mm
Top	125 mm
Bottom	80-150 mm
Connection	
Heating Flow And Return Compression Gas Connection	22mm
Domestic Supply (Cold) Compression	15mm
Domestic Supply (Hot) Compression	15mm
Condensing Push Fit Pipe	3/4"
Flue Connection	100mm
Electrical Mains Supply	230V 50HZ Fused 3amp
Nat Gas AB and A 2005/2009	90.3 / 88.9%
NOx Class	6 (36.06 mg/kWh)
Open therm Compatible	Yes
Weather Compensator Option	Yes
Noise Level	52 Db
Auxiliary electricity consumption	
elmax at full load	0.034 kW
elmin at part load	0.016 kW
PSB in standby mode	0.005 kW



RAVENHEAT®

Chartists Way, Morley, Leeds LS27 9ET
 Tel: +44(0)113 252 7007 Fax: +44 (0) 113 238 0229
 Website: www.ravenheat.co.uk Email: sales@ravenheat.co.uk



Ravenheat reserves the right to make changes and improvements in our products which may affect the accuracy of this information.